

# Max-Flo<sup>™</sup>

## MEDIUM HEAD PUMP SERIES



Performance, durability and value in one package.

Designed for new pools of all types and sizes, Max-Flo is also an ideal replacement pump.

Max-Flo features swing-aside knobs for easy access to the strainer compartment, a heavy-duty high-performance motor, and exclusive "service-ease" design for extra convenience and easier operation.

The Max-Flo pump series sets the standard for performance, durability and value.



**See-Thru Strainer Cover**  
lets you see when basket needs cleaning. Heavy-duty cover gasket assures positive seating for dependable sealing.

**Exclusive, Swing-Aside Hand Knobs**  
make strainer cover removal easy. No tools required...no loose parts...no clamps.

**Rugged, One-Piece Housing**  
with full-flow ports, assures rapid priming and continuous operation.

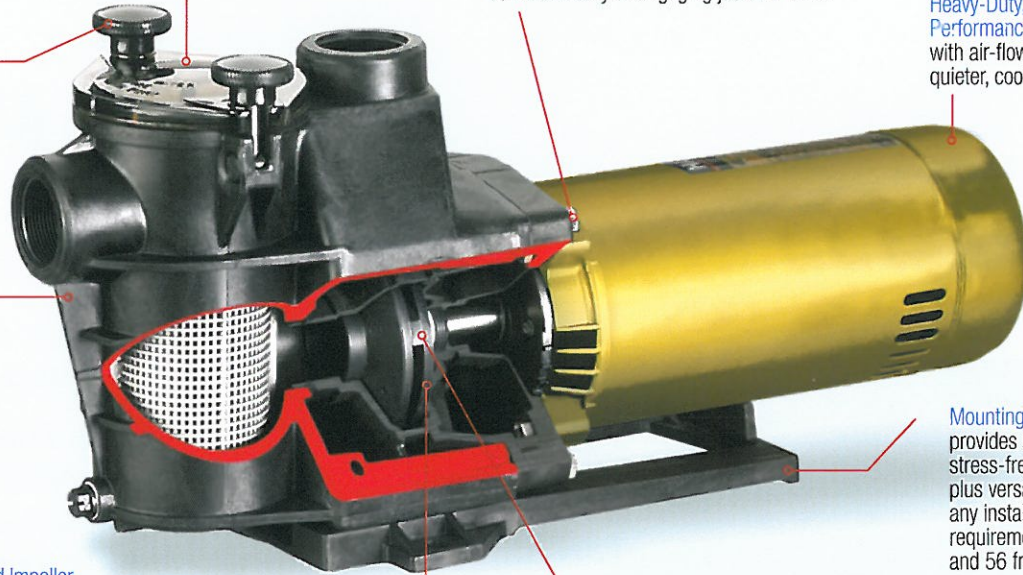
**Totally Balanced Impeller**  
has smooth, wide openings to prevent clogging.

**Service-Ease Design**  
gives simple access to all internal parts. Motor and entire drive group assembly can be removed without disturbing pipe or mounting connections by disengaging just four bolts.

**Heavy-Duty, High-Performance Motor**  
with air-flow ventilation for quieter, cooler operation.

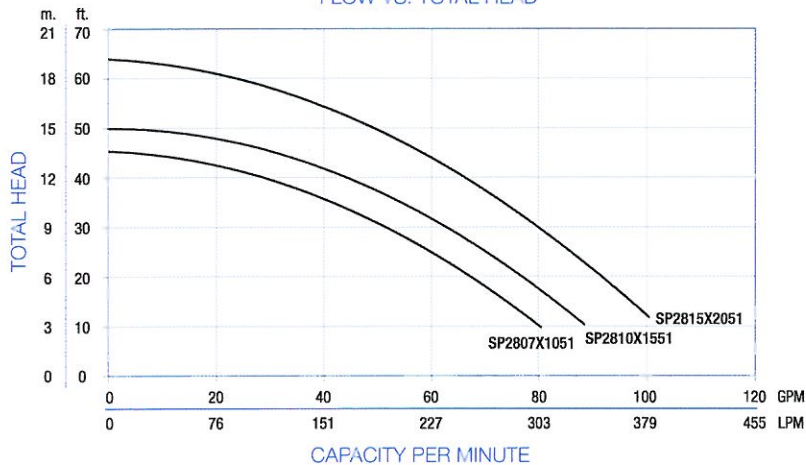
**Mounting Base**  
provides stable, stress-free support, plus versatility for any installation requirement. Adapts 48 and 56 frame motors.

**Heat Resistant, Industrial Size Ceramic Seal.**  
Long wearing, drip proof design.



OVERALL DIMENSIONS 220V/50HZ 1PH	MODEL NUMBER	H.P.	PIPE SIZE		
			INCH	INCH	MM
	SP2807X1051	1	1 1/2"	11	279
	SP2810X1551	1 1/2	1 1/2"	12 1/8	308
	SP2815X2051	2	1 1/2"	13 1/8	333

MAX-FLO PUMP  
FLOW VS. TOTAL HEAD



**LARGE 60 CUBIC INCH (983cc) BASKET**  
for extra leaf-holding capacity and longer time between cleanings. Rigid construction with load-extender ribbing assures free-flowing operation for heavy debris loads.

To take a closer look at Hayward Pumps, go to  
[www.haywardpool.com](http://www.haywardpool.com)

Max-Flo Series Pumps are listed by:



International Marketing Group  
2875 Pomona Blvd | Pomona, CA 91768 USA

