

PROHAYWARD

Pool Ladders



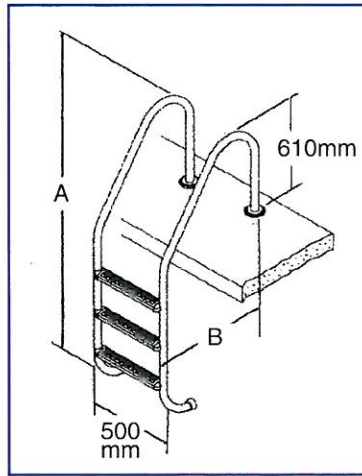
HAYWARD
IMG

SKIMMER POOL LADDER

The perfect choice for swimming pools with skimmers. These ladders offer rigid stability and beautiful appearance for commercial or residential pools.

DIMENSIONS:

SKIMMER TYPE		A	B
LADS2H	2-Steps	1306mm	664mm
LADS3H	3-Steps	1556mm	664mm
LADS4H	4-Steps	1860mm	664mm
LADS5H	5-Steps	2056mm	664mm

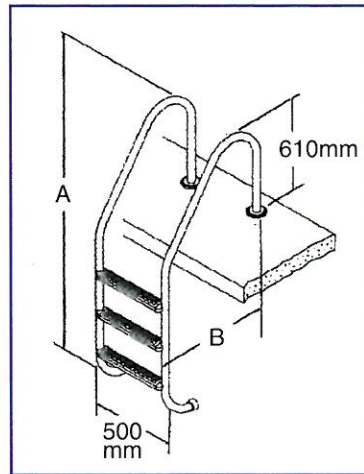


OVERFLOW LADDER

Designed for overflow pools, the longer reach rail extends beyond the overflow channel.

DIMENSIONS:

OVERFLOW TYPE		A	B
LADO2H	2-Steps	1306mm	957mm
LADO3H	3-Steps	1556mm	957mm
LADO4H	4-Steps	1860mm	957mm
LADO5H	5-Steps	2056mm	957mm

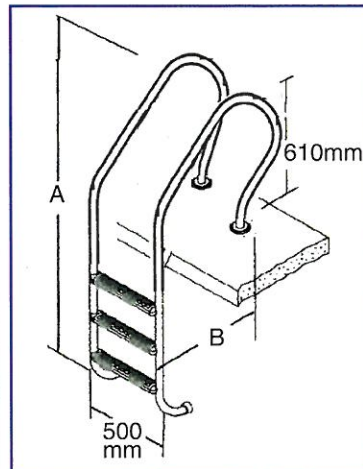


COMBINATION LADDER

Ideal for skimmer or overflow pools. The unique design allows the ladder rails to be anchored in the deck in front of the overflow channel.

DIMENSIONS:

COMBINATION TYPE		A	B
LADC2H	2-Steps	1306mm	357mm
LADC3H	3-Steps	1556mm	357mm
LADC4H	4-Steps	1860mm	357mm
LADC5H	5-Steps	2056mm	357mm



PROHAYWARD ladders are easy to grip 43mm (1.69") in diameter and finished to a mirror-like polish. The smooth looking rails are a result of a unique hidden tread bolts design. For extra security, the anti-slip pads on each tread are mechanically fixed to the stainless steel tread. Every **PROHAYWARD** ladder is individually boxed with all installation hardware included.



AISI 304 STAINLESS STEEL

Manufactured with premium grade 304 stainless steel and polished to a gleaming finish to provide easy maintenance and long life.



HAYWARD NON-SLIP TREAD

The non-slip treads feature Hayward's exclusive "H" logo and feature mechanically fixed anti-slip pads and hidden tread bolts for a beautiful appearance.

STAIR HAND RAIL

The **PROHAYWARD** stair hand rail is deck mounted for designed use with pools or commercial spas which have steps built-in.



STAIR HAND RAIL:

HRS001

A	817mm
B	203mm
C	1362mm
D	885mm

